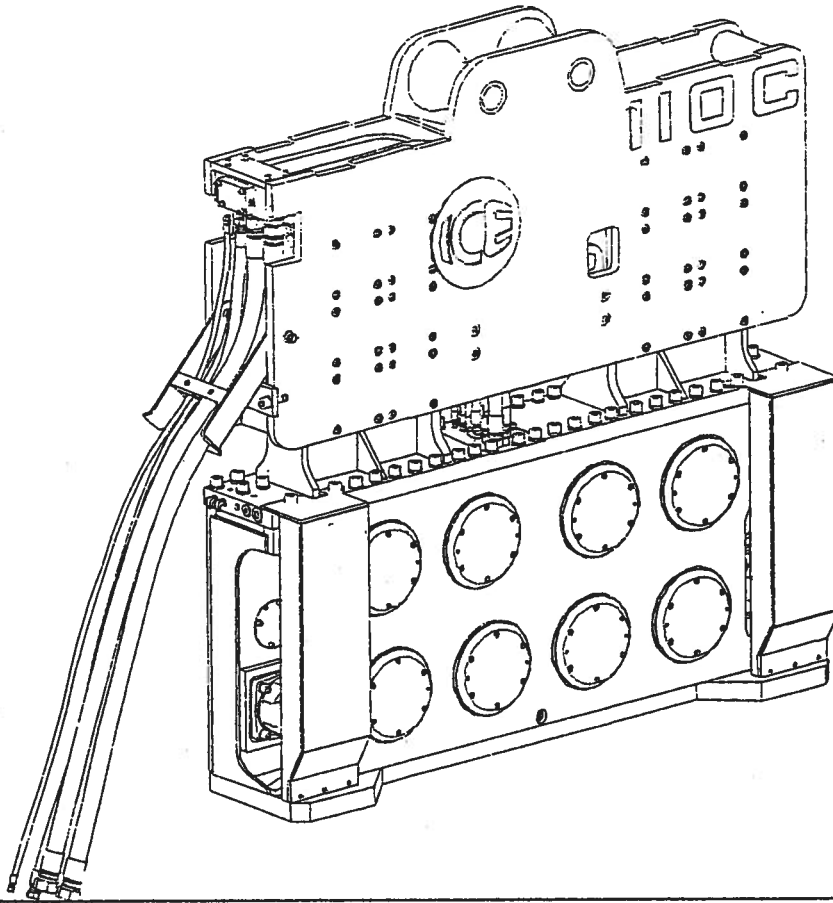

PARTS MANUAL

Model 110C Vibratory Driver/Extractor



International Construction Equipment, Inc.

Specializing in Pile Driving and Drilling Equipment

Corporate Office: 301 Warehouse Drive, Matthews, NC 28104 USA

Phone: 704-821-8200

Web Page: www.iceusa.com



<p>Parts Fax: 704-821-4349 Email: parts@iceusa.com</p>	<p>General Product Information Contact Fax: 704-821-8201 Email: info@iceusa.com</p>	<p>Service Support Fax: 704-821-2781 Email: support@iceusa.com</p>
--	--	--



All Rights Reserved

No parts of this publication may be copied or published by means of printing, photocopying, microfilm, or otherwise without prior written consent of International Construction Equipment, Inc. This restriction also applies, and is not limited to, the corresponding drawings and diagrams.

International Construction Equipment, Inc. has the right to change parts of the equipment at any time without prior or direct notice. The contents of this publication are subject to change without prior notice.

This publication is to be used for the standard version of the equipment only.

For additional information as to adjustments or maintenance and repair, please contact the technical department with in the supplier from whom you purchased the equipment.

This publication has been written with great care. However, International Construction Equipment cannot be held responsible, either for errors occurring in this publication or for their consequences.



International Construction Equipment, Inc. Standard Warranty

International Construction Equipment, Inc., hereafter referred to as ICE, warrants new products sold by it to be free from defects in material and workmanship for a period of one year after date of delivery to the first user and subject to the following conditions:

ICE's obligation and liability under this warranty is expressly limited to replacing, at ICE's option, any parts that appear to ICE upon inspection to have been defective in material or workmanship. Such parts shall be provided at no cost to the user at the business establishment of ICE or at the ICE distributor of the product during regular working hours.

This warranty shall not apply to component parts or accessories not manufactured by ICE and which carry the warranty of the manufacturer thereof or to normal maintenance parts (such as filters).

Replacements or repair parts installed in the product covered by this warranty are warranted only for the remainder of the warranty as if such parts were original components of said product.

ICE's obligation under this warranty shall not include any transportation charges, costs of installation, duty, taxes or any other charges whatsoever, or any liability for direct, indirect, incidental, or consequential damage or delay.

If requested by ICE, products or parts for which a warranty claim is made are to be returned, transportation paid, to ICE.

Any improper use, including operation after discovery of defective or worn parts, operation beyond rated capacity, substitution of parts not approved by ICE or any alteration or repair by others in such manner as in ICE's judgment affects the product materially and adversely shall void the warranty.

For impact pile hammers, driving in excess of 10 blows per inch (25mm) [set of 0.1 (2.5mm) per blow] is considered practical refusal. Driving in excess of 10 blows per inch (25mm) for more than 6 inches (150mm) or driving in excess of 20 blows per inch (25mm) at all is considered improper use and will void the hammer warranty.

For vibratory drivers, driving/extracting when the movement is less than 1" (25mm) per minute is considered practical refusal. Driving/extracting when movement is less than 1" (25mm) for more than 5 minutes of driving/extracting or driving at all when penetration is less than 1" (25mm) per minute and amplitude is greater than 1" (25mm) [vibrator and pile are bouncing] is considered improper use and will void the vibrator warranty. Driving/extracting when bearing covers (paint removed) are above 200°F (93°C) is considered improper use and will void the vibrator warranty. Use of a vibrator on a batter without discussing the operation with ICE and getting prior written approval is considered improper use and will void the vibrator warranty.

For limited-access drills and top-drive rotary heads, the use of a down-the-hole hammer without discussing the operation with ICE and getting prior written approval is considered improper use and will void the drill warranty.

Welding on power units or other equipment with electrical or electronic controls must be done with the battery leads disconnected. Welding with battery leads connected will void the warranty.

ICE MAKES NO OTHER WARRANTY, EXPRESSED OR IMPLIED, AND MAKES NO WARRANTY OF MERCHANTABILITY OR FITNESS FOR ANY PARTICULAR PURPOSE.



Table of Contents

Description	Page
General Parts Information – Abbreviations	6
Fitting Selector Chart	7
Fitting Description Code	8
Hose Description Code	9
Transmission Case Assembly 840338	10
Suppressor 840340	12
Terminal Manifold 830341	14
Hose and Connections Layout– Final Assembly 830270	16
Hose and Connections Layout– Final Assembly 830270 (Continued)	18
Hose and Connections at Adapter Plate	20
Plugs and Fittings on Adapter Plate Passages in Final Assembly	22
Hose Bundle	24
Model 100BH Caisson Clamp	26
Model 142BH Caisson Clamp	28
Model 100BHL Hydrolock Body	30
Model 142BHL Hydrolock Body	31
10' Caisson Beam with 142BHL Caisson Clamp	32



General Parts Information

The abbreviations shown following are used throughout the parts lists and various other parts of the manual.

Abbreviation	Definition	Abbreviation	Definition
ASM	Assembly	mm	Millimeter
BHCS	Button Head Cap Screw	Mtg	Mounting
Cyl	Cylinder	NPT	National Pipe Thread
DC	Direct Current	PHMS	Phillips Head Machine Screw
FHCS	Flat Head Cap Screw	P/N	Part Number
FHSCS	Flat Head Socket Cap Screw	Qty	Quantity
FLCS	Flanged Head Cap Screw	RHMS	Round Head Machine Screw
Ft	Foot	Sch	Schedule
HC	High Collar	SHCS	Socket Head Cap Screw
HHCS	Hex Head Cap Screw	SHPP	Socket Head Pipe Plug
HHPP	Hex Head Pipe Plug	SHSS	Socket Head Shoulder Screw
HSSS	Hex Socket Set Screw	S/N	Serial Number
Hyd	Hydraulic	Sol	Solenoid
In	Inch	UNC	United Coarse Thread
Lg	Long	UNF	United Fine Thread

Screws and bolts in abbreviated form are designated in the "Description" column of the part tables.

Listed below is a typical US bolt description: 0.5 - 13 UNC X 1.50 LG SHCS

0.50	=	Diameter in inches
UNC	=	Threads Per Inch, (United Coarse Thread)
1.50	=	Length in inches
SHCS	=	Bolt Type Abbreviation (Socket Head Cap Screw)

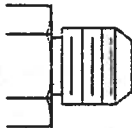
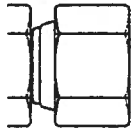
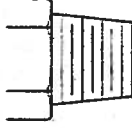

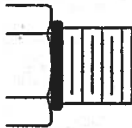

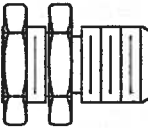
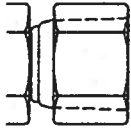
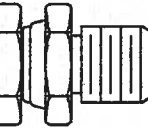
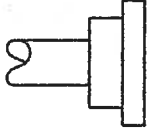
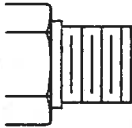
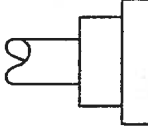
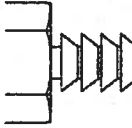

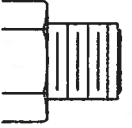
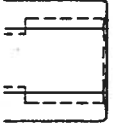
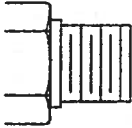
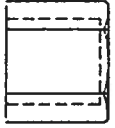
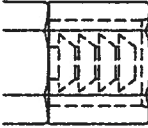
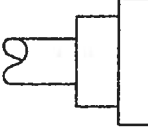
Listed below is a typical metric bolt description: M12-1.75 X 40

M12	=	Diameter in Millimeter
1.75	=	Threads Pitch (1.75mm between threads)
40	=	Length in Millimeters
SHCS	=	Bolt Type Abbreviation (Socket Head Cap Screw)

The following pages contain keys to describe the codes for the hydraulic fittings and hose descriptions. These codes are used in the "Description" column of the part tables for naming hydraulic hoses and fittings.



Fitting Style Selector Chart

M		JIC MALE 37 DEG. FLARE	J		JIC FEMALE 37 DEG. FLARE (& SWIVEL)
P		MALE PIPE NPT	Q		FEMALE PIPE NPTF
R		S.A.E. MALE O-RING (& ADJUSTABLE)	K		S.A.E. FEMALE O-RING
B		JIC MALE 37 DEG. FLARE BULKHEAD	N		FEMALE PIPE NPSM-SWIVEL
D		MALE PIPE NPT SWIVEL	F		SPLIT FLANGE 3000 PSI CODE 61
S		B.S.P. MALE PIPE	H		SPLIT FLANGE 6000 PSI CODE 62
T		HOSE BARB	W		FEMALE BSP PIPE
Y		ORB MALE O-RING (& ADJUSTABLE)	X		ORB FEMALE O-RING
U		METRIC MALE FITTING	A		METRIC FEMALE FITTING
G		CRIMP HOSE END FITTING	C		CATERPILLAR SPLIT FLANGE

Fitting Description Code

FITT 2 L - 16 M 12 J 00 0 - 00L 0 0 0 1

SELECTOR INDEX

- 2 - INCH FITTING
- 9 - METRIC FITTING

CONFIGURATION OR SHAPE OF FITTING

- S - STRAIGHT FITTING
- L - 90 Deg. ELBOW
- V - 45 Deg. ELBOW
- T - TEE
- C - CAP
- P - PLUG
- U - UNION
- X - CROSS
(4TH END FITTING REQ'D)

FIRST END SIZE

- INDEX 2 - 1/16THS OF AN INCH*
- INDEX 9 - MILLIMETERS
- SEE GENERAL SPECIFICATION SHEET FOR SEQUENCE OF ORDER

FIRST END FITTING STYLE

SEE FITTING STYLE SELECTOR CHART

SECOND END SIZE

IF APPLICABLE - SEE FIRST END SIZE

SECOND END FITTING STYLE

IF APPLICABLE - SEE FIRST END FITTING STYLE

THIRD END SIZE

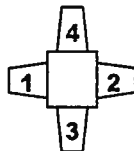
IF APPLICABLE - SEE FIRST END SIZE

THIRD END FITTING STYLE

IF APPLICABLE - SEE FIRST END FITTING STYLE

*** EXCEPTIONS**

- 90 = 10" 96 = 6"
- 92 = 12" 98 = 8"
- 94 = 14" 99 = NON CODE SIZE



MATERIAL

- 1 - CARBON STEEL
- 2 - BRASS
- 4 - STAINLESS STL
- 5 - AAR MAL IRON
- 6 - MALLEABLE IRON
- 8 - FORGED STEEL

SPECIAL NOTATIONS

- 4 - 046 ORIFICE
- 6 - 063 ORIFICE

PRESSURE RATING

- 0 - NONE
- 1 - 125 LB.
- 3 - SCH40
- 4 - SCH80

INSTALLATION AID OR STYLE OF HEAD

- O - NOT APPLICABLE H
- H - REGULAR HEX
- Q - SQUARE HEAD (EXT.)
- R - SQUARE HEAD (INT.)
- S - HEX HEAD (INT SOCKET)
- T - HEX HEAD (EXT.)

LENGTH CODE

(ELBOWS & NIPPLES)

- 00S - SHORT (ELBOW)
- 00M - MEDIUM (ELBOW)
- 00L - LONG (ELBOW)
- 00X - EXTRA LONG (ELBOW)
- 00C - CLOSE (NIPPLE)

**PIPE NIPPLES (LONG) ONLY
IN DEC. INCHES FOR INDEX 2**

- 050 = 5.0 INCHES
- 105 = 10.5 INCHES

IN MILLIMETERS FOR INDEX 9

- 120 = 12.0 MILLIMETERS
- 084 = 8.4 MILLIMETERS

FOURTH END SIZE & FITTING STYLE

(CROSSES ONLY)
SEE FIRST END FITTING SIZE OR END STYLE

10-Dec-07



Hose Description Code

HOSE	125	R11	F	9	24	P	0	20	L0395	-S
<p>HOSE I.D. IN INCHES 2 PLACE DECIMAL (125=1-1/4") (050=1/2") etc.</p>										<p>SPECIAL CODE 0 - None D - Offset</p>
<p>SAE OR MANUFACTURER</p>										<p>HOSE GUARD: C - Nylon cloth F - Flat spring guard L - Stainless steel braid S - Wire spring guard P - Plastic coil guard</p>
<p>RATING (or Special Code) (PT4=Power Track) (AQ1=Aeroquip H-Pac) (TF1=Teflon) (R01=SAE Rating 100R1) etc.</p>										<p>DROP LENGTH(ELBOWS): 00S - Short 00M - Medium 00L - Long 00X - Extra long</p>
<p>FIRST END-TYPE OF FITTING (F=3000 lb Flange) (P=Male Pipe) (H=6000 lb Flange) (M=37° Male JIC) (J=JIC Swivel 37°)</p>										<p>LENGTH IN INCHES (1 PLACE DECIMAL) (L0395=39-1/2") (L1242=124-1/4") etc.</p>
<p>FIRST END-BEND ANGLE (0=None) (9=90°) (3=30°) etc.</p>										
<p>FIRST END-SIZE IN 1/16ths</p>										
<p>SECOND END-TYPE OF FITTING (See codes for FIRST END)</p>										
<p>SECOND END-BEND ANGLE (See codes for FIRST END)</p>										
<p>SECOND END-SIZE IN 1/16ths</p>										

10-Dec-07

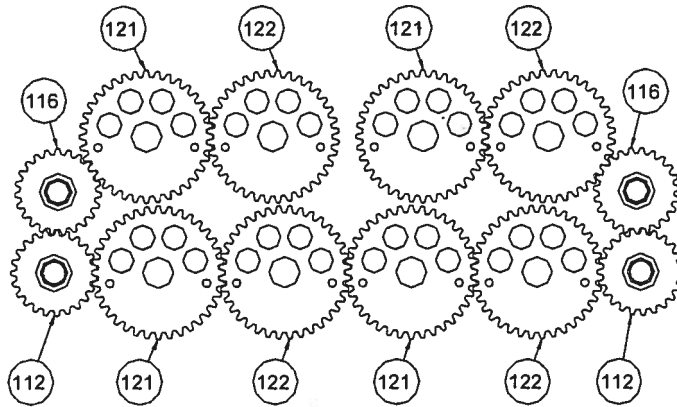
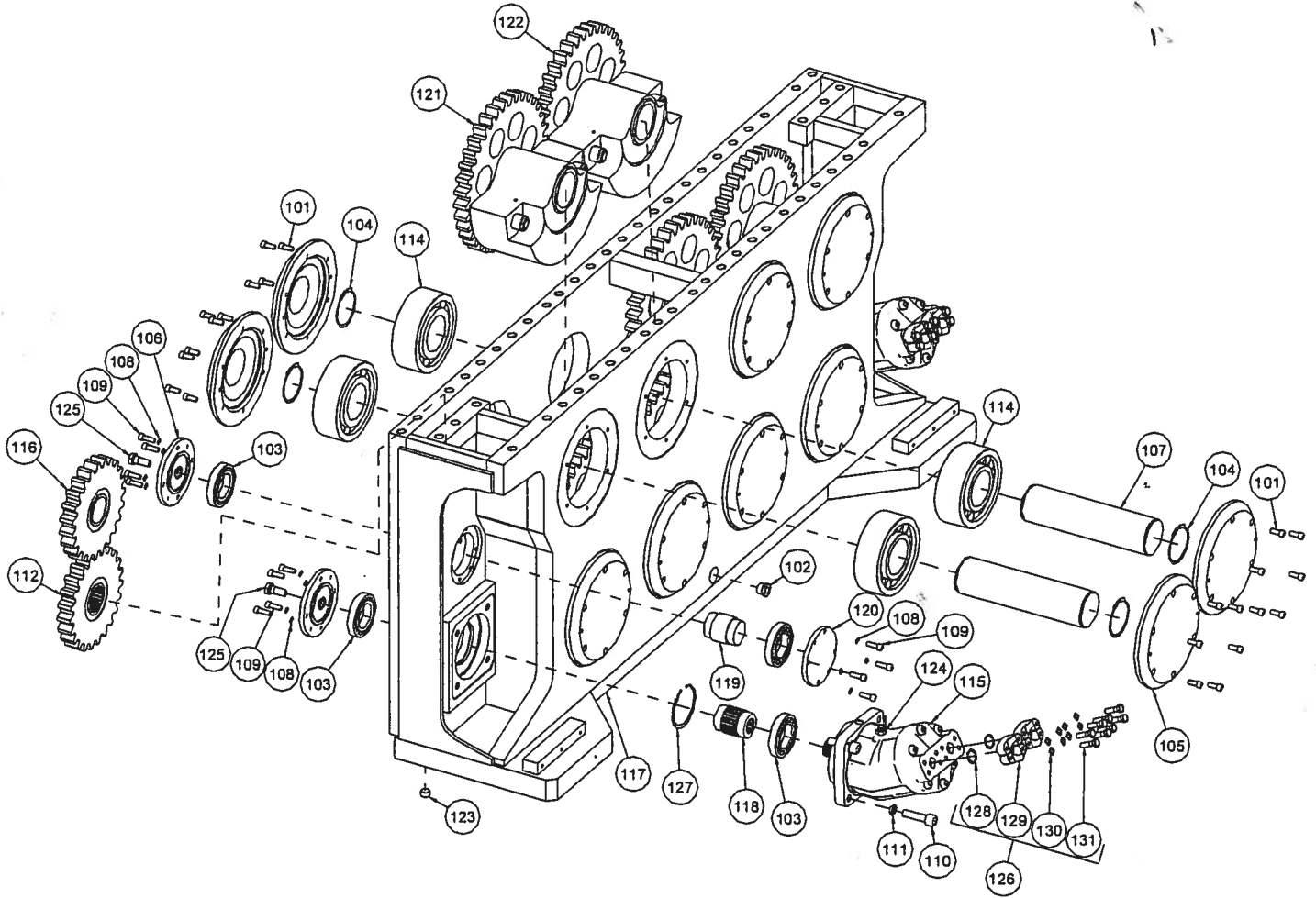


© International Construction Equipment, Inc

PM110_0_s/#_V11001_Current 02_09

9

Transmission Case 840338

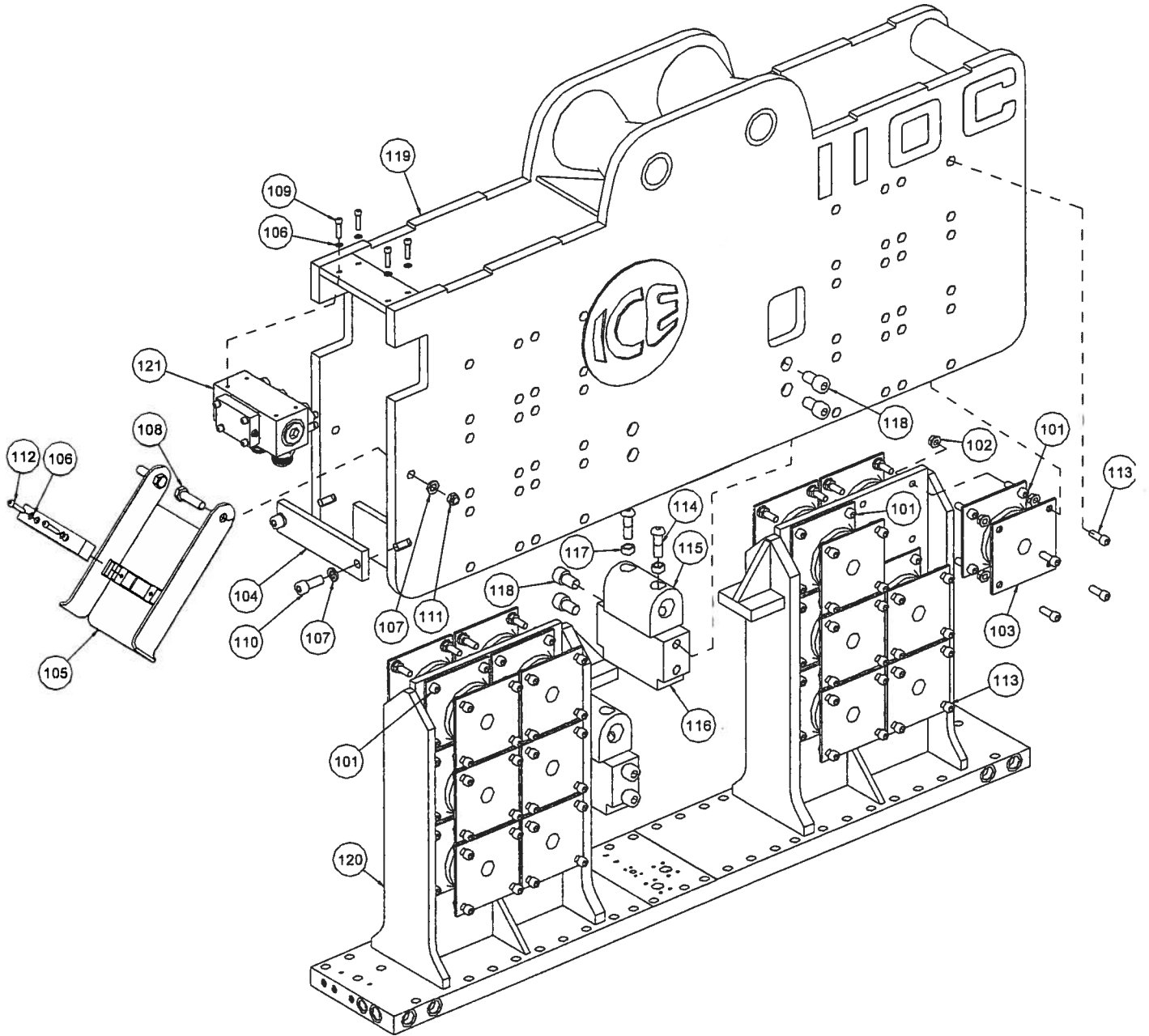


Transmission Case 840338

Item	Part Number	QTY	Description
101	100119	96	0.50-13 UNC X 1.25 UNC
102	100185	1	Sight Gauge
103	110312	8	Motor Bearing
104	110316	16	Retaining Ring
105	110358	16	Bearing Cover
106	110366	4	Bearing Cover
107	110372	8	Eccentric Shaft
108	1X8462	24	0.50 Hi-Collar Lock Washer
109	1X8832	24	0.50-13UNC X 1.50 SHCS
110	1X8982	8	0.875-9UNC X3.00 SHCS
111	400911	8	0.875 Hi-Collar Lock Washer
112	702020	2	Motor Gear
114	730851	16	Eccentric Bearing
115	750409	2	110C Drive motor
116	750433	2	Idler Gear
117	750441	1	Transmission Case
118	750456	2	Pinion Shaft
119	750494	2	Idler Shaft
120	750495	2	Bearing Cover
121	830280	4	Eccentric/Gear Assembly
122	830282	4	Eccentric/Gear Assembly
123	100187	2	FITT2P-12P000000-000S0M7
124	740443	2	FITT9S-08M22U000-000H001
125	810229	4	Centrifugal Breather
126	740395	4	20PH Split Flange Kit Metric
127	750552	2	Internal Snap Ring
128	100037	4	2-222 O-ring
129	110986	8	20PH Split Flange Half
130	909451	16	M14 Split Lock Washer
131	909455	16	M14-2.00 X 50 HHCS



Suppressor 840340

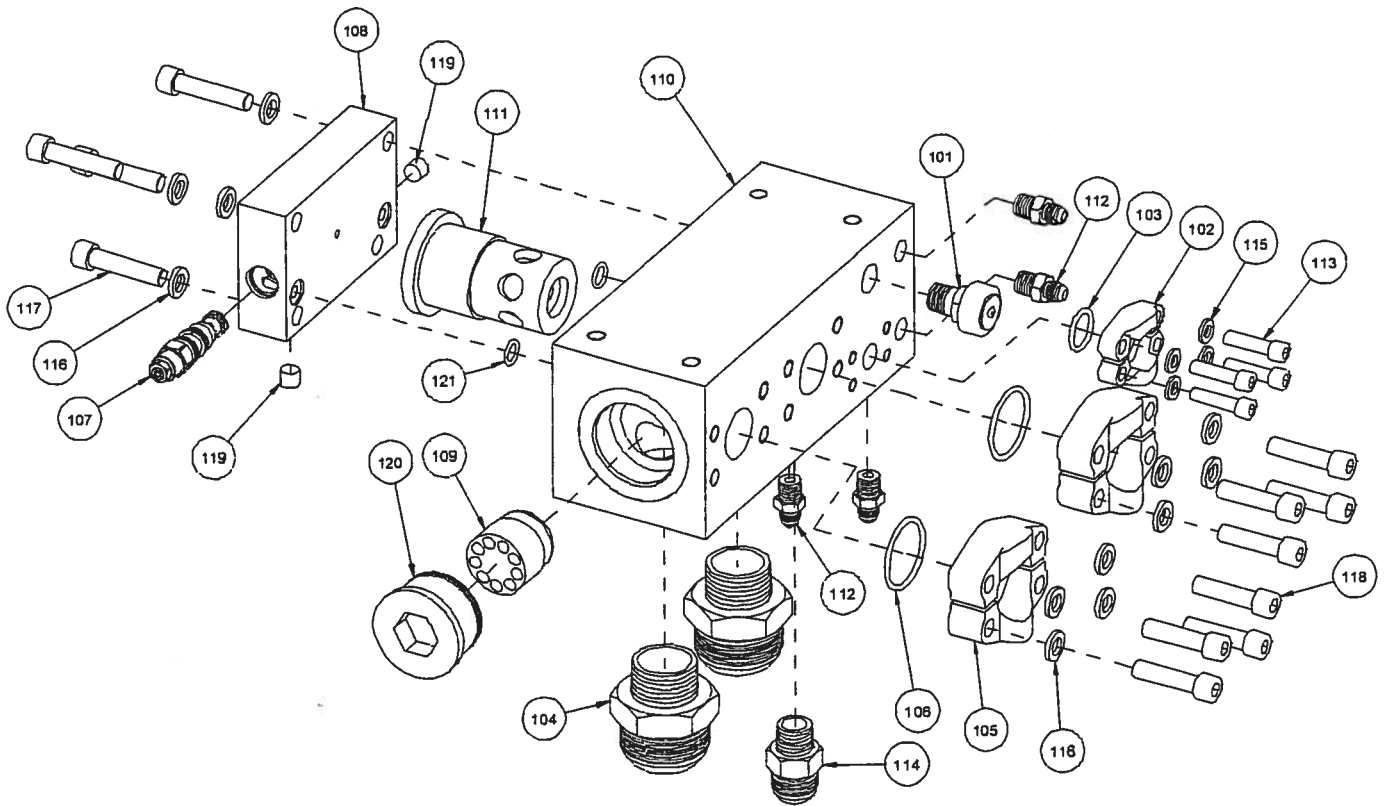


Suppressor 840340

Item	Part Number	QTY	Description
101	100067	48	0.75-10UNC X 2.50 SHCS
102	100782	144	0.75-10UNC Serrated Nut
103	100796	24	Elastomer
104	110354	1	Hose Chute Support
105	110357	1	Hose Chute
106	1X30	6	0.50 Spring Lock Washer
107	1X34	4	1.00 Spring Lock Washer
108	1X3763	2	1.00 -8UNC X 3.50 HHCS
109	1X5520	4	0.50-13UNC X 2.00 SHCS
110	1X8511	2	1.00-8UNC X 2.50 SHCS
111	1X8711	2	1.00-8UNC Flex Nut
112	1X8816	2	0.50-13UNC X 2.50 SHCS
113	400069	96	0.75-10UNC X 2.00 SHCS
114	400321	4	1-8UNC X 3.25 BHCS
115	750289	2	Bumper
116	750292	2	Dual Pull
117	750293	4	Spacer 66 DP
118	750295	8	1.25-7UNC X 2.00 SHCS
119	750444	1	110 Suppressor Housing
120	750492	1	110 Adapter Plate
121	840341	1	Terminal Manifold



Terminal Manifold 840341

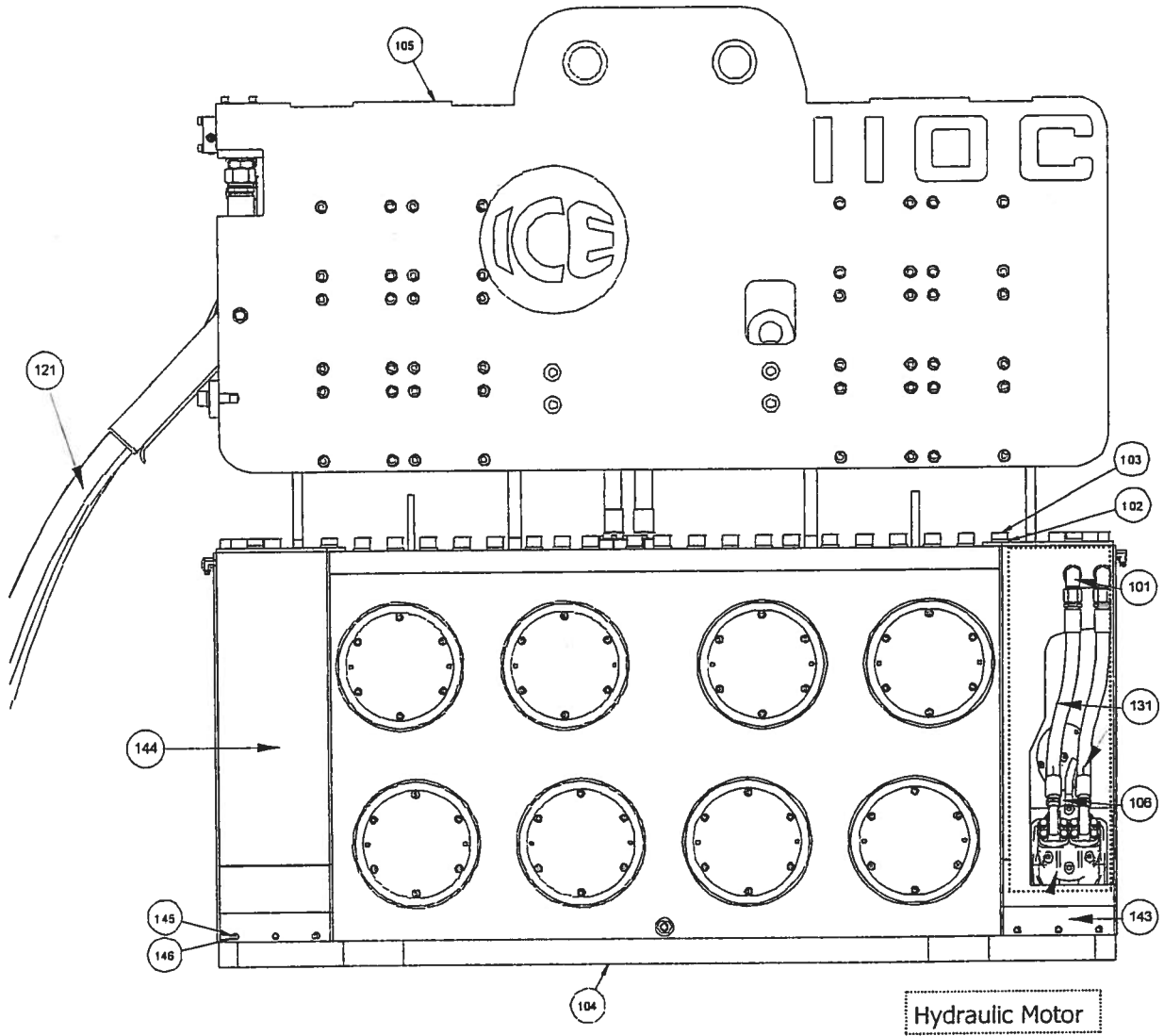


Terminal Manifold 840341

Item	Part Number	QTY	Description
101	100032	1	Relief Valve
102	100049	2	12 PA Split Flange Half
103	100097	1	2-214 O-ring
104	110269	2	FITT2S-32M24P000-000H001
105	100596	4	24 PA Split Flange Half
106	110119	2	2-225 O-ring
107	110310	1	Brake Valve Relief
108	110252	1	Manifold Cap
109	110296	1	Check Valve
110	110352	1	Terminal Manifold
111	110622	1	40mm DIN Cartridge
112	1X1151	4	FITT2S-06M06P000-000H001
113	1X1906	4	0.375-16UNC X 1.50 SHCS
114	140759	1	FITT2S-16M12P000-000H001
115	1X28	4	0.375 Spring Lock Washer
116	1X30	12	0.50 Spring Lock Washer
117	1X4024	4	0.50-13UNC X 2.25 SHCS
118	1X5520	8	0.50-13UNC X 2.00 SHCS
119	1X824	2	FITT2P-04P000000-000S001
120	1X838	1	FITT2P-24R000000-000S001
121	1X8824	2	2-113 O-ring



Hose and Connection Layout in Final Assembly 830270

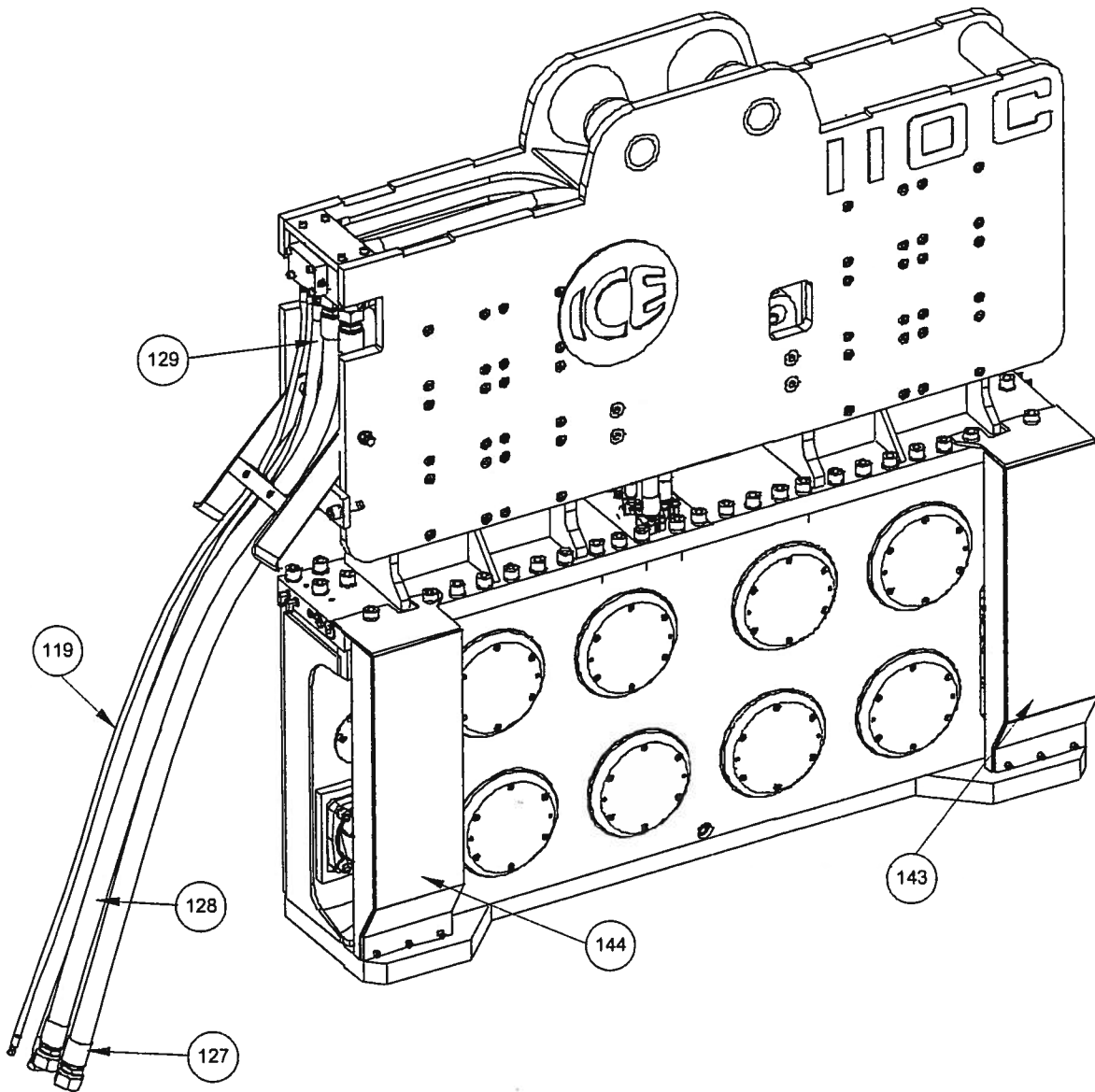


Hose and Connection Layout in Final Assembly 830270

Item	Part Number	QTY	Description
101	1X8678	4	FITT2L-20M20R000-000H001
102	750299	58	1.125 Spring Washer
103	750357	58	1.125-7UNC X 4.50 SHCS
104	840338	1	110 Transmission Case Assembly
105	840340	1	110 Suppressor Final Assembly
106	750515	4	HOSE100PT4J020H920L0265-0
121	830493	1	66-80 Whip Kit (JIC)
131	750517	2	HOSE08R02J008J008L0240-0
143	750561	1	Motor Guard RH
144	750566	1	Motor Guard LH
145	1X8462	6	0.50 Hi Collar Lock Washer
146	100119	6	0.50-13UNC X 1.25 SHCS



Hose and Connection Layout in Final Assembly 830270-Continued

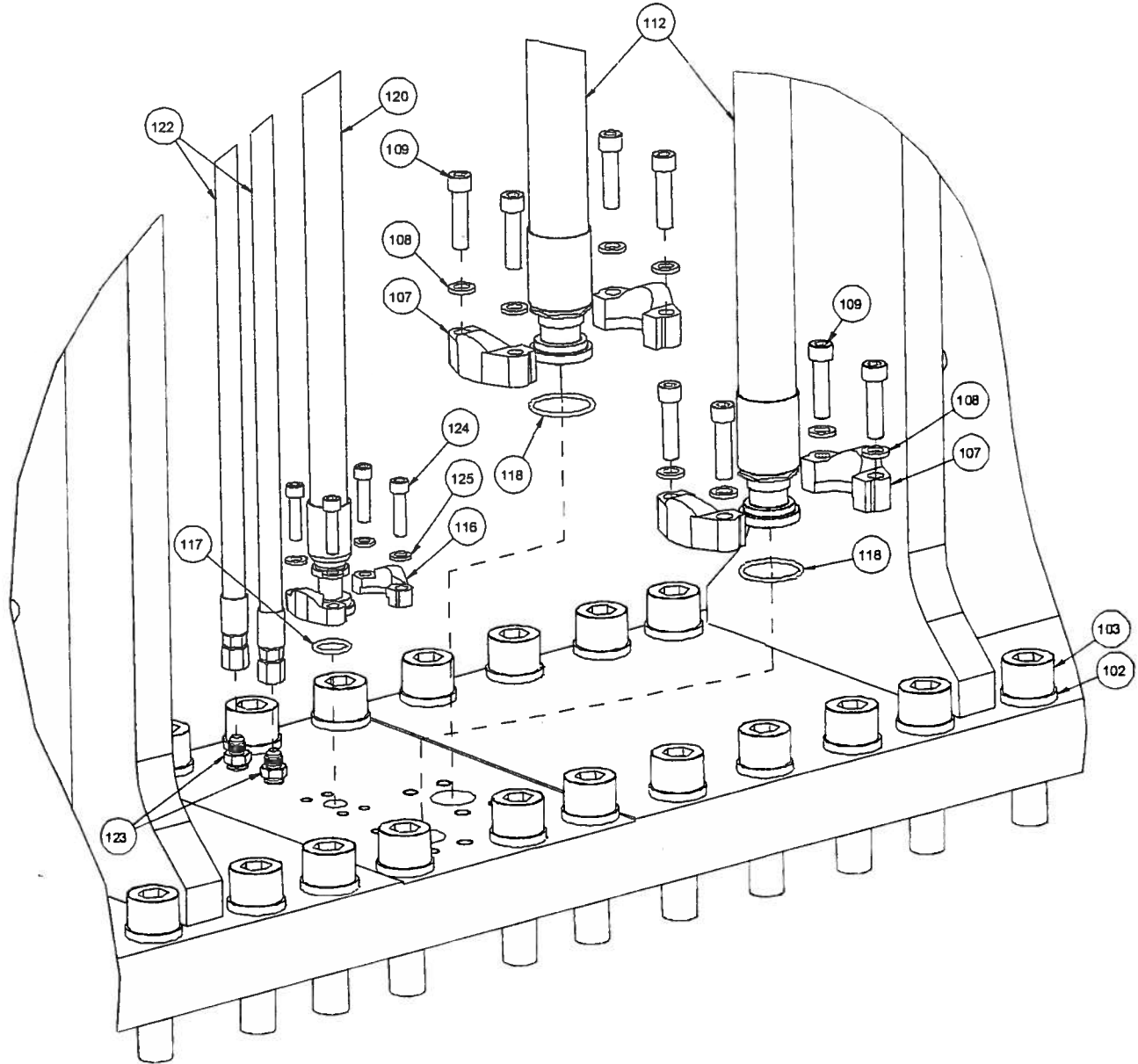


Hose and Connection Layout in Final Assembly 830270 (Continued)

Item	Part Number	QTY	Description
119	730991	2	HOSE038R02J006J006L1080-0
127	730118	1	HOSE200R13J032J032L1080-0
128	730117	1	HOSE200R09J032J032L1080-0
129	730990	1	HOSE100R02J016J016L1080-0
143	750561	1	Motor Guard RH
144	750566	1	Motor Guard LH



Hose and Connection at Adapter Plate in Final Assembly 830270

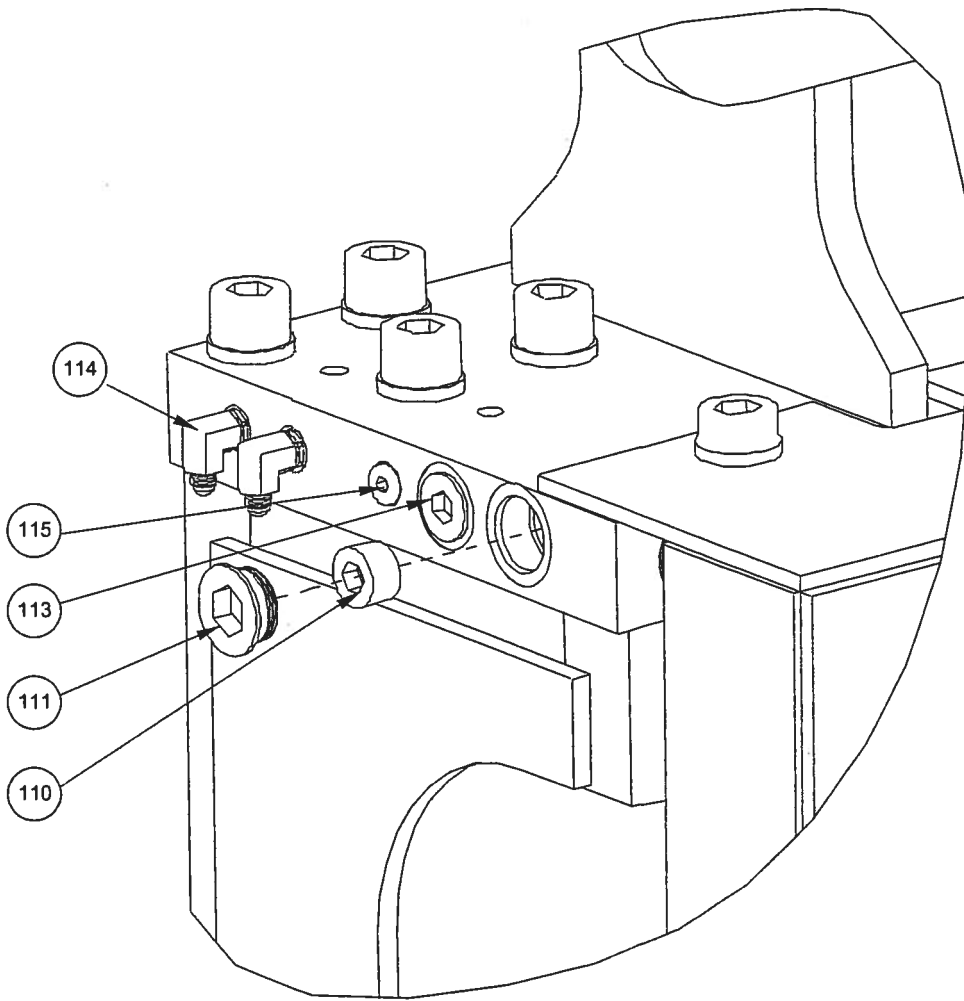


Hose and Connection at Adapter Plate Final Assembly 830270

Item	Part Number	QTY	Description
102	750299	58	1.125 Spring Washer
103	750357	58	1.125-7UNC X 4.50 SHCS
107	100596	4	24 PA Split Flange Half
108	1X30	8	0.50 Spring Lock Washer
109	1X5520	8	0.50-13UNC X 2.00 SHCS
112	140907	2	HOSE150PT6F024024L0835-C
116	100049	2	12 PA Split Flange Half
117	100097	1	2-214 O-ring
118	110119	2	2-225 O-ring
120	140903	1	HOSE075PT4F012F012L0835-C
122	140905	2	HOSE038R02J006J006L0835-C
123	1X1151	2	FITT2S-06M06P000-000H001
124	1X1906	4	0.375-16UNC X 1.50 SHCS
125	1X28	4	0.375 Spring Lock Washer



Plugs and Fittings on Adapter Plate Passages in Final Assembly 830270



SCALE 0.500

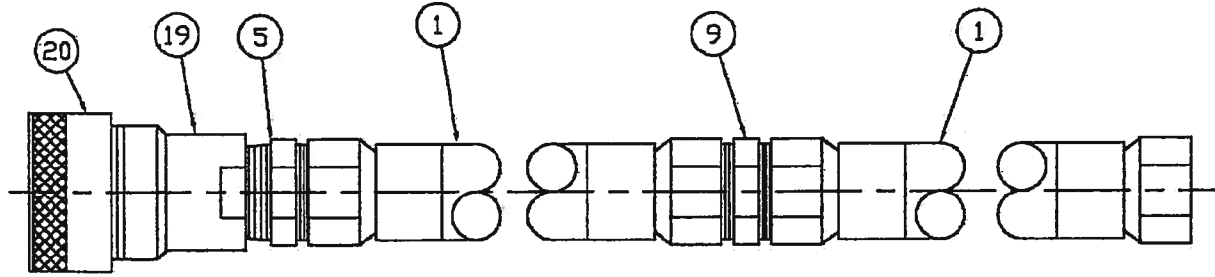


Plugs and Fittings on Adapter Plate Passages in Final Assembly 830270

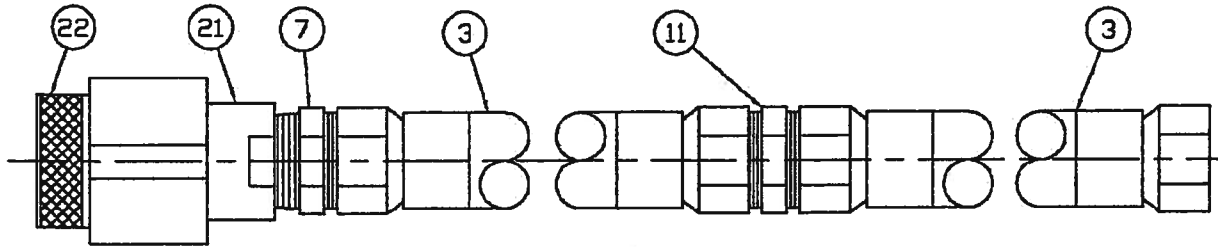
Item	Part Number	QTY	Description
110	100063	2	FITT2P-16P00000-00S0M7
111	110298	2	FITT2P-20R000000-000S001
113	130829	2	FITT2P-16R000000-000S001
114	130921	4	FITT2L-06M08R000-00H001
115	760054	2	FITT2P-08R000000-000S001



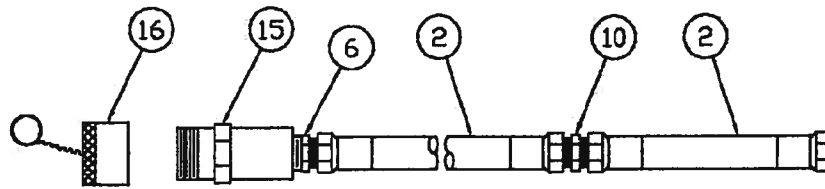
Hose Bundle



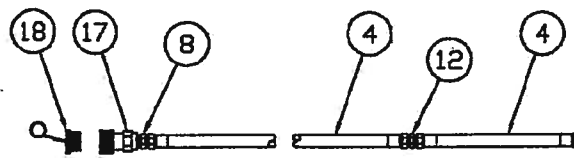
PRESSURE



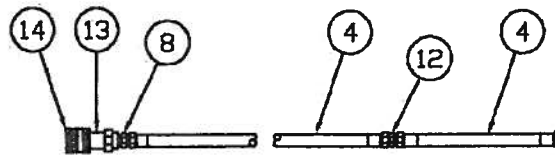
RETURN



DRAIN



UNCLAMP



CLAMP

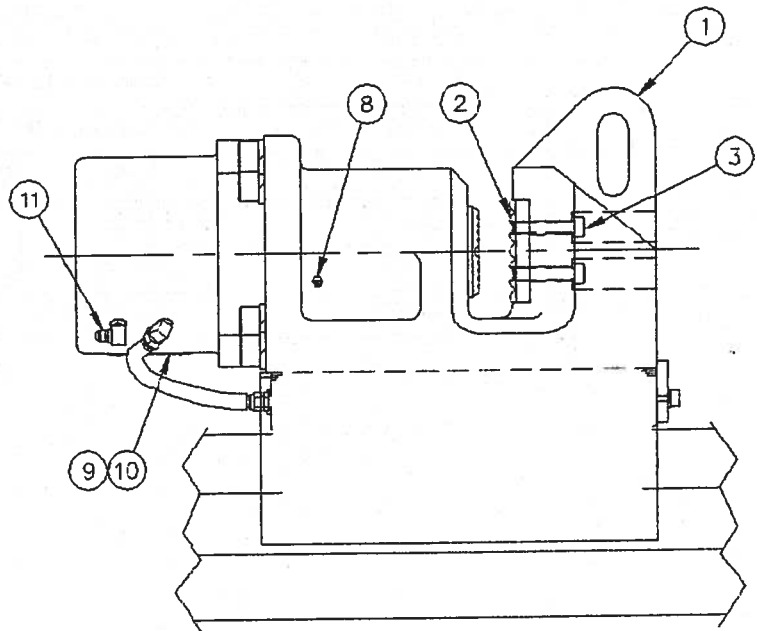
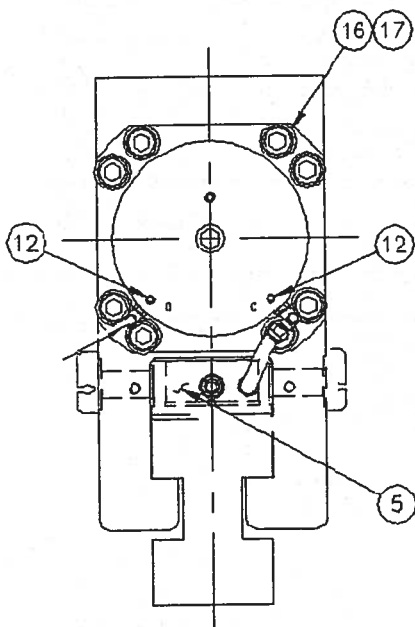
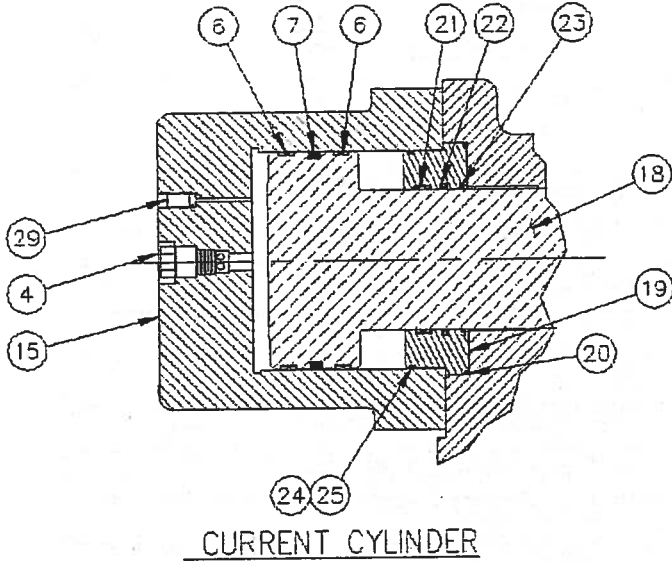


Hose Bundle

Item	Part Number	Qty	Description
1	140683	3	HOSE200R13J032J032L60000
2	130787	3	HOSE100R02J016J016L60000
3	110970	3	HOSE200R09J032J032L60000
4	130793	3	HOSE038R02J006J006L62000
5	140523	1	FITT2S32M32P000-000H001
6	1X2598	1	FITT2S-16M16P000-000H001
7	140523	1	FITT2S-32M32P000-000H001
8	130399	2	FITT2S-06M06P000-000H001
9	110271	2	FITT2S-32M32M000-000H001
10	130789	2	FITT2S-16M16M000-000H001
11	110271	2	FITT2S-32M32M000-000H001
12	120081	1	FITT2S-06M06M000-000H001
13	100245	1	Male Disconnect (3/8")
14	100737	1	Dust Plug (3/8")
15	120023	1	Male Disconnect (1")
16	120029	1	Dust Cap (1")
17	100777	1	Female Disconnect (3/8")
18	100257	1	Dust Cap (3/8")
19	140037	1	Male Disconnect (2")
20	140041	1	Dust Cap (2")
21	140035	1	Female Disconnect (2")
22	140039	1	Dust Plug (2")



Model 100BH Caisson Clamp

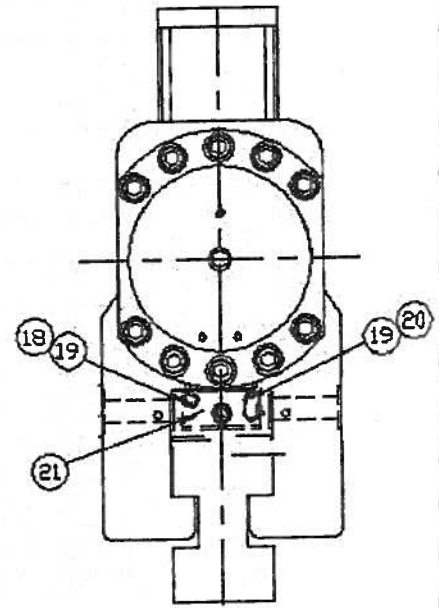
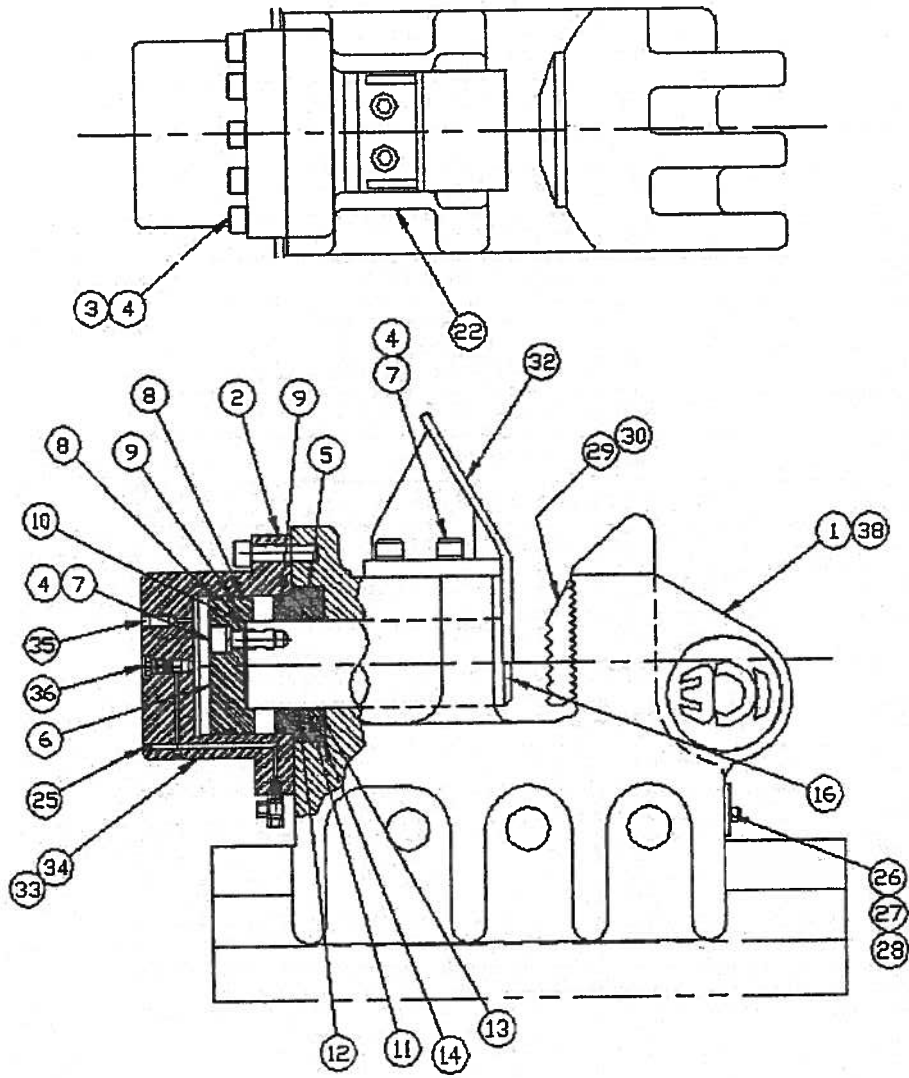


Model 100BH Caisson Clamp

Item	Part Number	Qty	Description
1	720119	1	Clamp Body 100B
2	120107	1	Fixed Jaw
3	400157	2	0.625-11UNC X 2.75 SHCS
4	120629	1	Holding Valve Cartridge
5	8C0399	1	100BHL Hydrolock Assembly
6	720118	2	Piston Bearing
7	720117	1	Piston Seal
8	1X812	2	1/8" Grease Fitting
9	730045	1	Clamp Serial Number Plate
10	1X1516	4	#10 X 3/8" Drive Screw Type U
11	130057	1	FITT2L-06M06R000-000H001
12	1X823	8	FITT2P-02P000000-000S001
15	720112	1	Cylinder Housing
16	100212	8	1.00-8UNC X 4.00 SHCS
17	1X34	8	1.00 Lock Washer (Medium)
18	720146	1	Rod and Piston (One Piece)
19	720113	1	Rod End Cap 100B
	830495	1	100B Seal Kit (Includes items 6,7,20-25)
20	720120	1	2-265 O-ring 90 Durometer
21	120627	1	Rod Bearing
22	120625	1	Rod Seal
23	120345	1	Rod Wiper
24	120100	1	2-263 O-ring
25	720116	1	263 Back-up Ring
29	120761	1	Pointed Set Screw



Model 142BH Caisson Clamp



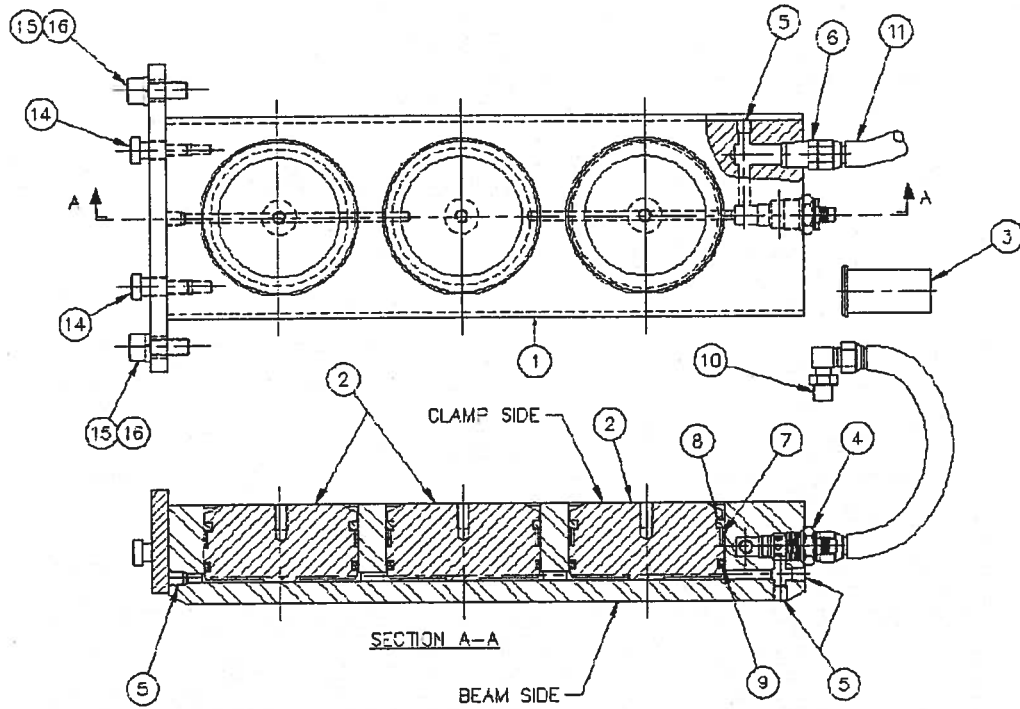
800410

Model 142BH Caisson Clamp

Item	Part Number	Qty	Description
1	810183	1	Clamp Body
2	760068	1	140 Clamp Cylinder Housing
3	100212	10	1.00-8UNC X 4.00 SHCS
4	100213	7	1.00-8UNC X 2.50 SHCS
5	120633	1	Rod Enc Cap
6	720171	1	Piston
7	1X8512	17	1.00 Hi-Collar Lock Washer
	830641	1	142B Seal Kit
8	760074	2	Piston Seal
9	720174	2	Piston Bearing
10	120683	1	O-ring
11	120685	1	Rod Seal
12	120687	1	Rod Bearing
13	120289	1	Wiper
14	120687	1	Rod Bearing
16	120637	1	Cylinder Rod
18	1X8587	2	FITT2C-06J000000-000H001
19	130057	1	FITT2L-06M06R000-000H001
20	120655	1	FITT2T06M06R06M-000H001
21	800559	1	142BHL HydroLock Assembly
22	1X812	2	1/8" Grease Fitting
25	1X823	8	FITT2P-02P000000-000S001
26	120653	1	Hydrolock Retainer Plate
27	100119	4	0.50-13UNC X 1.25 SHCS
28	100121	6	0.50 Lock Washer
29	120261	1	Fixed Jaw
30	100773	2	0.625-11UNC X 4.50 SHCS
32	120259	1	Pile Guide
33	730045	1	Clamp Serial Number Plate
34	1X1516	4	#10 X 3/8" Drive Screw Type U
35	120761	1	Pointed Set Screw
36	120629	1	Holding Valve Cartridge
38	100298	0.25	ICE Green Paint (gallon)



Model 100BHL Caisson Clamp Hydro-Lock Body

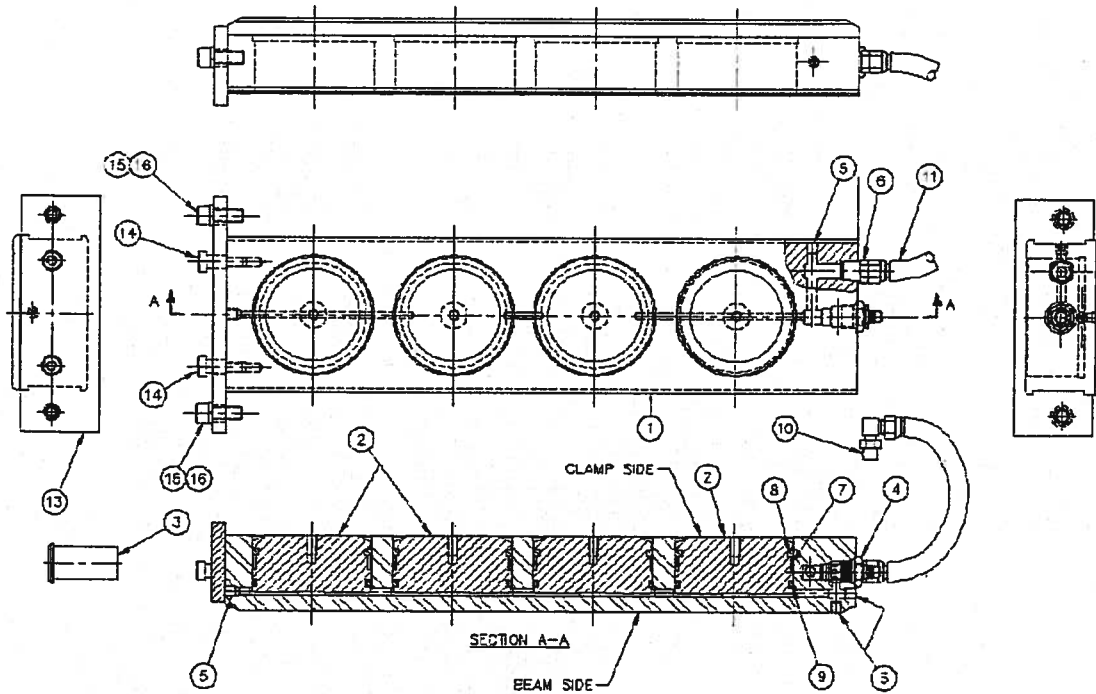


8

Item	Part Number	Qty	Description
1	120639	1	80/100 Lock Body
2	120641	3	Piston
3	120643	4	Button
4	120651	1	Lock Body Holding Valve
5	1X823	4	FITT2P-02000000-000S001
6	400203	1	FITT2S-06M06P000-000H001
	830641	4	Seal Kit (Includes items 7-9)
7	120645	1	Piston Bearing
8	120649	1	Piston Wiper
9	120647	1	Piston Seal
11	120657	1	HOSE038R02J006J906L00800
13	120653	1	LB Retainer Plate
14	140143	2	0.50-13UNC X 0.75 SHSS
15	100119	2	0.50-13UNC X 1.25 SHCS
16	100121	2	0.50 Lock Washer



Model 142BHL Caisson Clamp Hydro-Lock Body

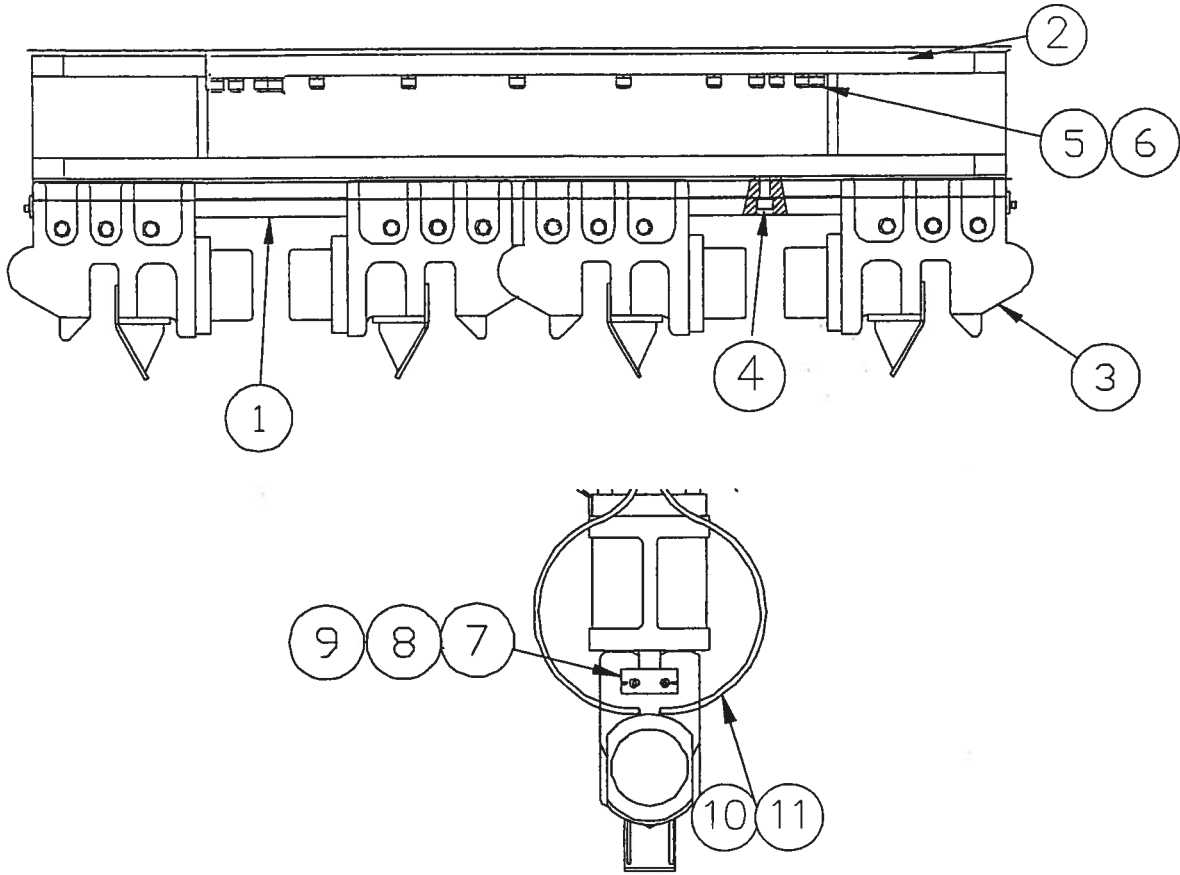


800559

Item	Part Number	Qty	Description
1	120773	1	Lock Body
2	120641	4	Piston
3	120643	6	Button
4	120651	1	Lock Body Holding Valve
5	1X823	4	FITT2P-02000000-000S001
	830641	4	Seal Kit (Includes items 7-9)
6	400203	1	FITT2S-06M06P000-000H001
7	120645	1	Piston Bearing
8	120649	1	Piston Wiper
9	120647	1	Piston Seal
11	120657	1	HOSE038R02J006J906L00800
13	120653	1	LB Retainer Plate
14	140143	2	0.50-13UNC X 0.75 SHSS
15	100119	2	0.50-13UNC X 1.25 SHCS
16	100121	2	0.50 Lock Washer



10 Foot Caisson Clamp with model 142 Caisson Clamp



Item	Part Number	Qty	Description
1	720183	2	4' Caisson Beam
2	720179	1	10' Caisson Beam
3	830236	2	142BH Caisson Clamp with HydroLock
4	120007	28	1.50-6UNC X 8.00 SHCS
5	1X8548	26	1.50-6UNC X 5.00 SHCS
6	100195	26	1.5 Lockwasher
7	120011	2	Clamp Stop
8	400069	4	0.75-10UNC X 2.00 SHCS
9	1X32	4	0.75 Lock Washer
10	120411	4	HOSE038R02J006J006L1440C
11	100230	4	FITT06M000000-000T001









