



APE SERVICE BULLETIN

DEEP FOUNDATION SOLUTIONS

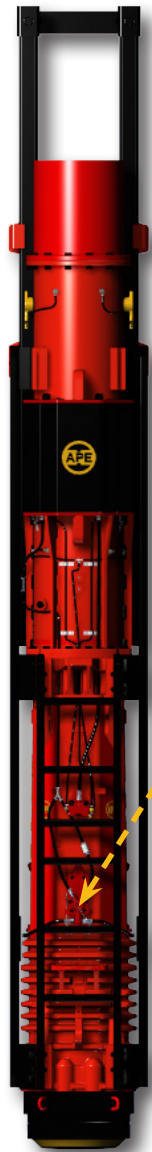
VIBRATORY HAMMER • POWER UNIT • AUGER SYSTEMS • DIESEL & HYDRAULIC HAMMERS
• DRILL RIGS • HYDRAULIC PILING RIGS • WICK DRAIN INSTALLERS • LEAD SYSTEMS



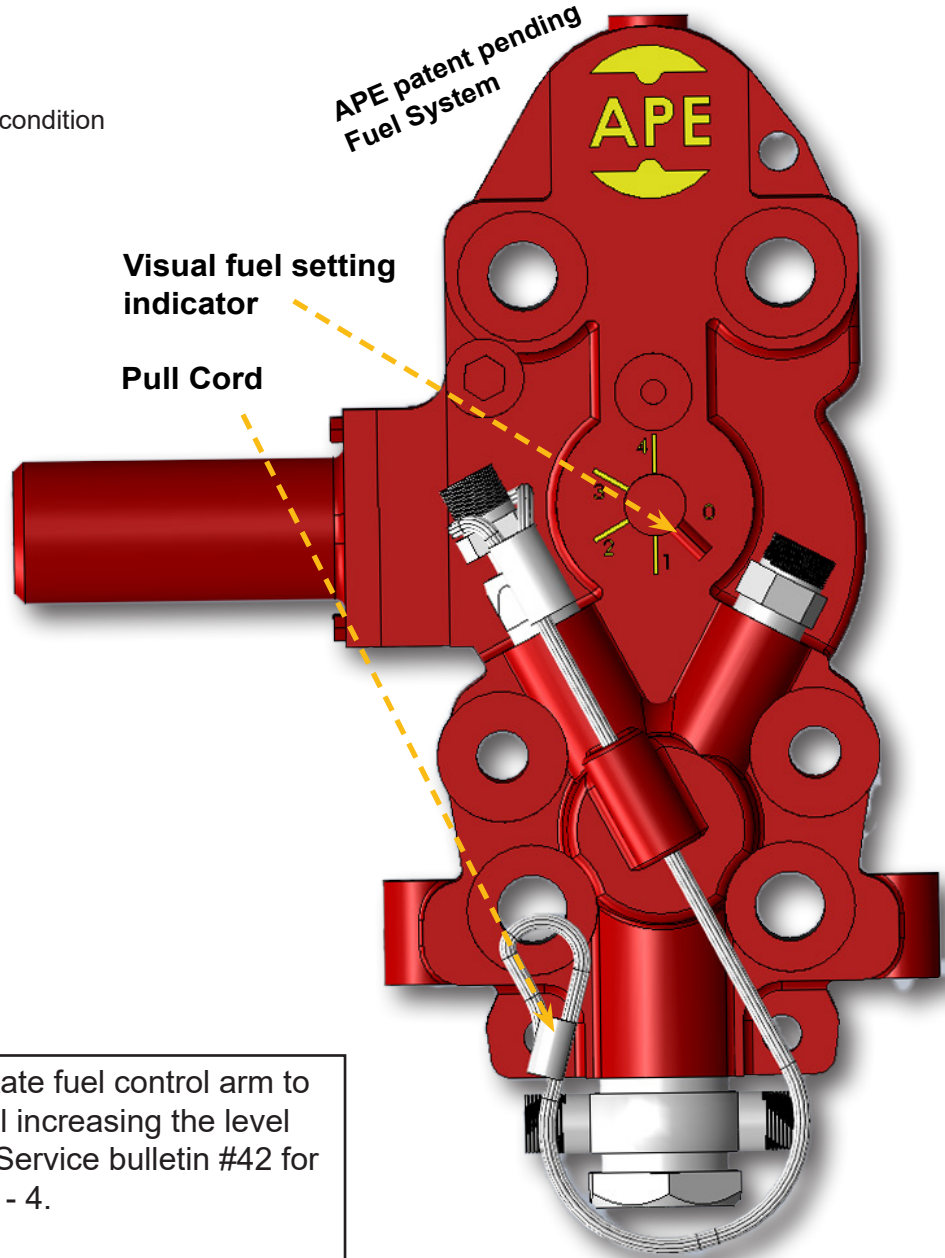
#53 APE DIESEL HAMMER VARIABLE FUEL CONTROL

FEATURES

- Infinite Variable Fuel Control
- Keeps hammer running in soft soil condition
- Reduces emission on soft driving
- Allows for shorter stroke



Fuel Control Location



APE patent pending Fuel System

Visual fuel setting indicator

Pull Cord

Pull Cord to rotate fuel control arm to adjust fuel level increasing the level of stroke. See Service bulletin #42 for pump setting 1 - 4.



800-248-8498
WWW.AMERICANPILEDIVING.COM

VISIT US



MOBILE APP
NOW AVAILABLE





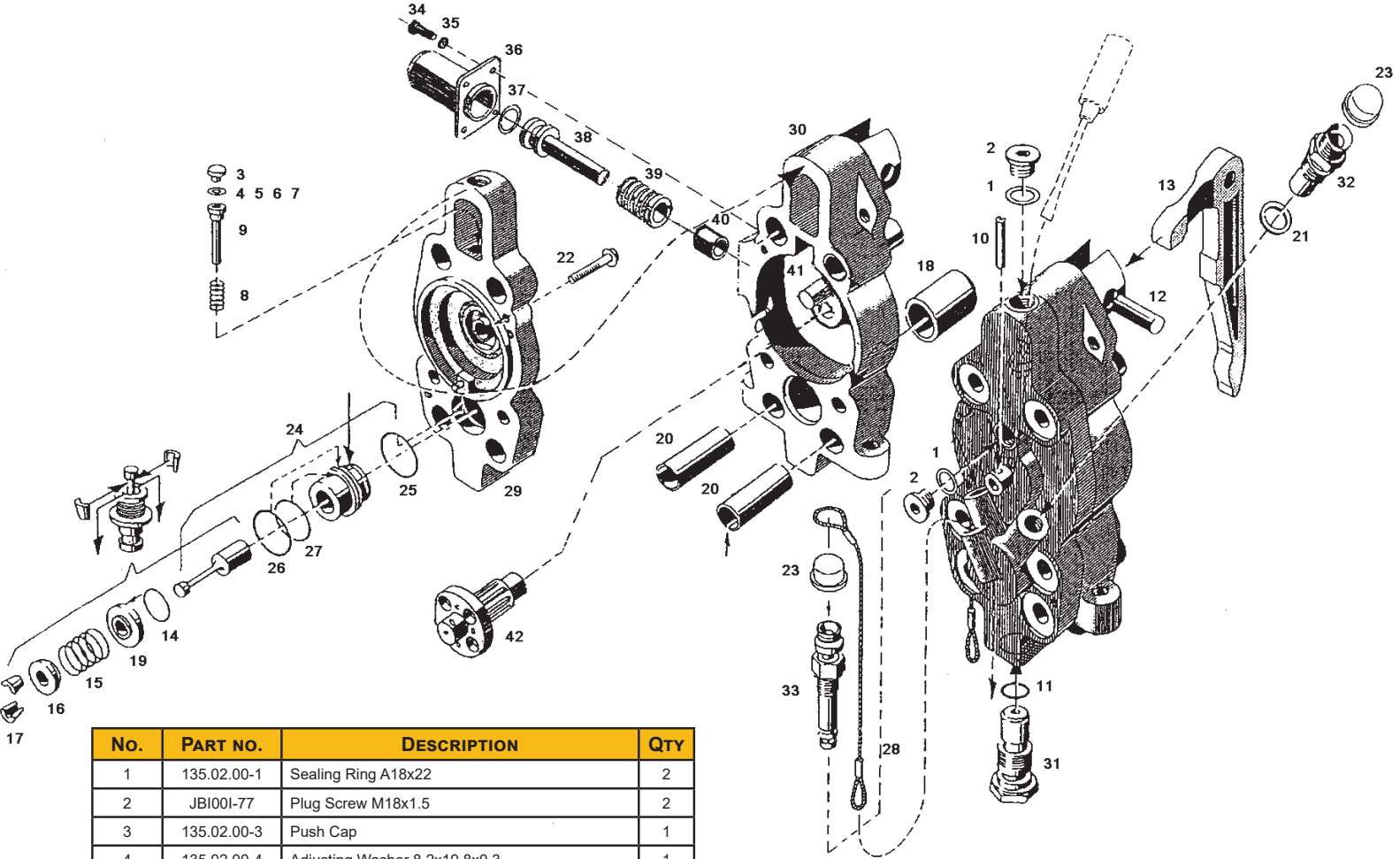
APE SERVICE BULLETIN

DEEP FOUNDATION SOLUTIONS

VIBRATORY HAMMER • POWER UNIT • AUGER SYSTEMS • DIESEL & HYDRAULIC HAMMERS
• DRILL RIGS • HYDRAULIC PILING RIGS • WICK DRAIN INSTALLERS • LEAD SYSTEMS



#53 APE DIESEL HAMMER VARIABLE FUEL CONTROL



NOTE: Hydraulic Variable Fuel Pump Kit: P/N: 135.02.12

No.	PART NO.	DESCRIPTION	QTY
1	135.02.00-1	Sealing Ring A18x22	2
2	JB1001-77	Plug Screw M18x1.5	2
3	135.02.00-3	Push Cap	1
4	135.02.00-4	Adjusting Washer 8.2x19.8x0.3	1
5	135.02.00-5	Adjusting Washer 8.2x19.8x0.5	1
6	135.02.00-6	Adjusting Washer 8.2x19.8x0.6	1
7	135.02.00-7	Adjusting Washer 8.2x19.8x0.4	1
8	135.02.00-8	Pressure Spring 14.5x34x1	1
9	135.02.00-9	Push Rod	1
10	GB879-86	Dowel Pin 6x40	1
11	135.02.00-12	Round Sealing Ring 22x3	1
12	135.02.00-16	Pin	1
13	135.02.00-17	Pump Lever	1
14	135.02.00-19	Round Sealing Ring 35x2.5	1
15	135.02.00-20	Pressure Spring	1
16	135.02.00-21	Spring Retaining Collar	1
17	135.02.00-22	Conical Ring 2 Piece	1
18	135.02.00-23	Guide Sleeve	1
19	135.02.00-24	Holder Ring	1
20	135.02.00-25	Dowel Pin 28x80	4
21	135.02.00-29	Sealing Ring A20x24	1
22	GB 5782-86	Locking Screw M8x50	1
23	135.02.00-31	Protecting Cap	2
24	141.02.03	Pump Element Cpl.	1

No.	PART NO.	DESCRIPTION	QTY
25	135.02.03-4	Round Sealing Ring 42x3	1
26	135.02.03-2	Round Sealing Ring 47x2.5	1
27	135.02.03-3	Round Sealing Ring 40x2.5	1
28	135.02.11A	Regulation Rop For Stop Valve	1
29	135.02.02	Pump Cover Cpl.	1
30	135.02.05V	Pump Body for Hydraulic Fuel Pump	
31	135.02.06	Check-Non-Return Valve Cpl	1
32	135.02.09	Suction Valve Cpl	1
33	135.02.10	Stop Valve Cpl	1
34	135.02.12-1	Screw M8x20 GB70-85	4
35	135.02.12-2	Spring washer GB93-87	4
36	135.02.12-3	Pump Cylinder	1
37	135.02.12-4	Round Sealing Ring 32x3.5	1
38	135.02.12-5	Piston Rack	1
39	135.02.12-6	Spring	1
40	135.02-8A	Guide sleeve	1
41	135.02.12-9	Screen pin	1
42	135.02.01V	Switch shaft for hydraulic fuel pump	1



800-248-8498
WWW.AMERICANPILEDIVING.COM

VISIT US



MOBILE APP
NOW AVAILABLE

